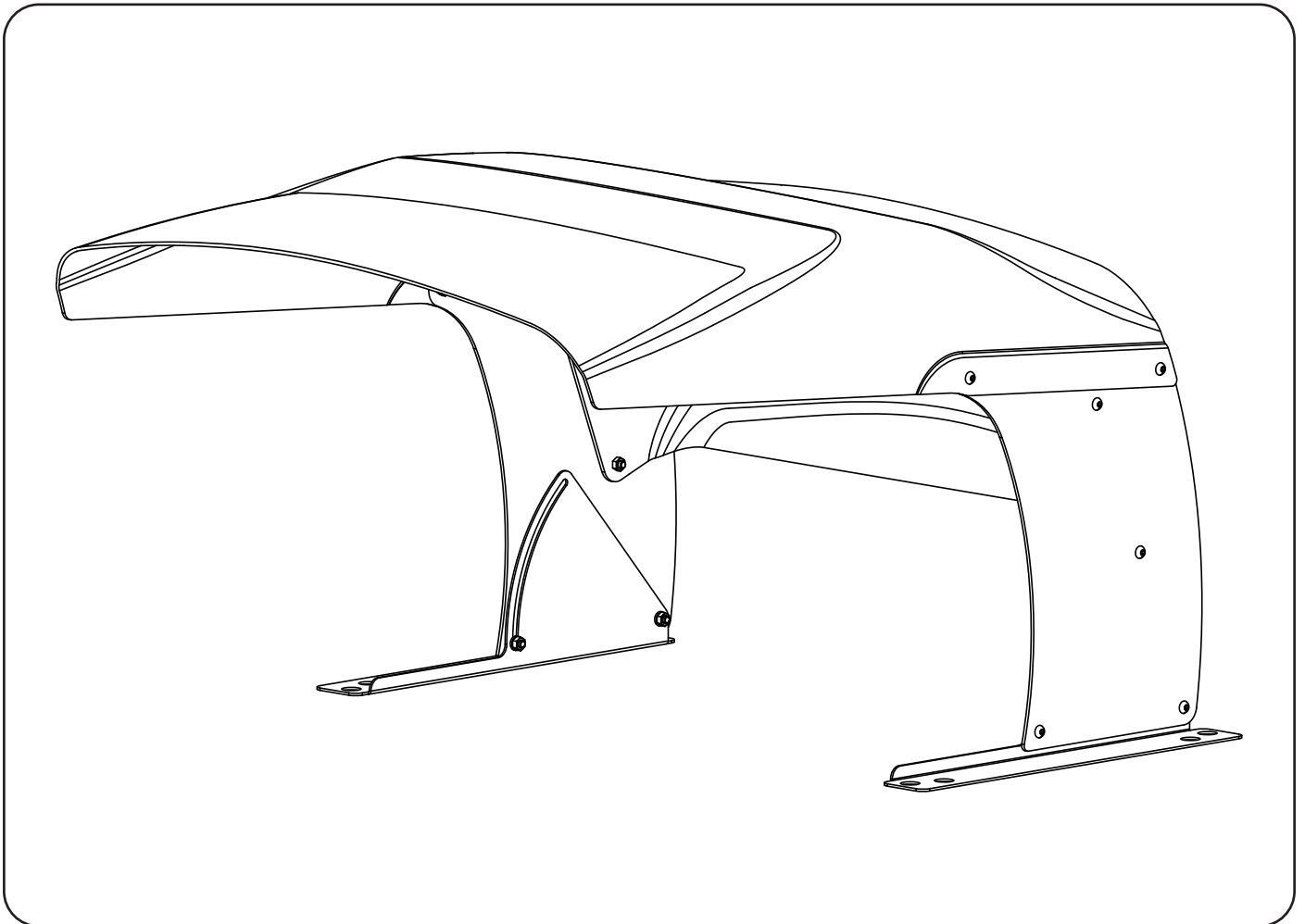




User Manual



Navi Home

